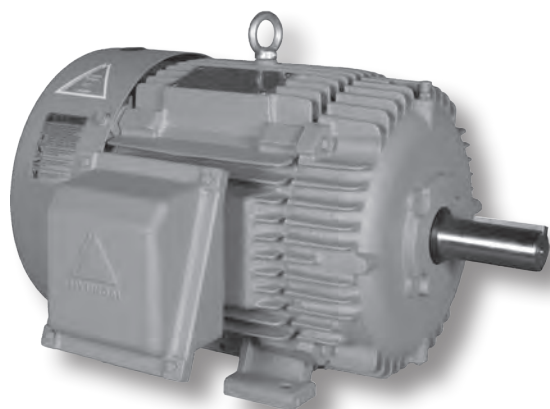


HYUNDAI CROWN TRITON™ SERIES MOTORS

PREMIUM EFFICIENCY

TEFC Enclosure ▪ Rigid Base

Three-Phase ▪ 208-230/460 and 460 Volt



Product Overview

- 1 - 250 HP
- 3600, 1800 and 1200 RPM
- 208-230/460 volt (1 - 125 HP)
- 460 volt (150 - 250 HP)
- TEFC enclosure
- Dual rated service factor
1.15 for 40°C / 1.0 for 65°C
- Class F insulation
- Rigid base
- Premium Efficiency, meets or exceeds
EISA 2007 requirements defined in
NEMA MG-1 table 12-12
- 3 year warranty
- NEMA Design B
- Cast iron frame and conduit box
- Suitable for part winding start
on low voltage (1 - 125 HP)
- Suitable for wye-delta start (15 - 250 HP)
- Inverter ready, 10:1 CT / 20:1 VT
- Double drilled feet to accommodate
mounting flexibility (324T - 449T)
- F2 field mountable
- Class I, Division 2, Groups A, B, C, D
- CC # 038A



HP	RPM	Voltage	Frame	Model Number	List Price	FL Amps (A)	FL Eff. (%)	Approx. Wt. (lbs.)	Notes
1	1800	208-230/460	143T	HHI1-18-143T		1.6	85.5	53	
	1200	208-230/460	145T	HHI1-12-145T		1.8	82.5	55	
1.5	3600	208-230/460	143T	HHI1.5-36-143T		2.0	84.0	53	
	1800	208-230/460	145T	HHI1.5-18-145T		2.2	86.5	55	
2	1200	208-230/460	182T	HHI1.5-12-182T		2.3	87.5	90	
	3600	208-230/460	145T	HHI2-36-145T		2.6	85.5	55	
3	1800	208-230/460	145T	HHI2-18-145T		3.0	86.5	55	
	1200	208-230/460	184T	HHI2-12-184T		3.0	88.5	105	
5	3600	208-230/460	182T	HHI3-36-182T		3.8	86.5	90	
	1800	208-230/460	182T	HHI3-18-182T		3.9	89.5	90	
7.5	1200	208-230/460	213T	HHI3-12-213T		4.5	89.5	150	
	3600	208-230/460	184T	HHI5-36-184T		6.1	88.5	105	
10	1800	208-230/460	184T	HHI5-18-184T		6.5	89.5	105	
	1200	208-230/460	215T	HHI5-12-215T		7.4	89.5	165	
15	3600	208-230/460	213T	HHI7.5-36-213T		9.0	89.5	150	
	1800	208-230/460	213T	HHI7.5-18-213T		9.5	91.7	150	
20	1200	208-230/460	254T	HHI7.5-12-254T		10.3	91.0	260	
	3600	208-230/460	215T	HHI10-36-215T		12.0	90.2	165	
25	1800	208-230/460	215T	HHI10-18-215T		12.8	91.7	165	
	1200	208-230/460	256T	HHI10-12-256T		13.8	91.0	300	
30	3600	208-230/460	254T	HHI15-36-254T		16.9	91.7	260	
	1800	208-230/460	254T	HHI15-18-254T		18.3	92.4	260	
40	1200	208-230/460	284T	HHI15-12-284T		19.8	91.7	380	
	3600	208-230/460	256T	HHI20-36-256T		23.1	91.7	300	
50	1800	208-230/460	256T	HHI20-18-256T		24.8	93.0	300	
	1200	208-230/460	286T	HHI20-12-286T		26.7	91.7	410	

HYUNDAI CROWN TRITON™ SERIES MOTORS

PREMIUM EFFICIENCY

TEFC Enclosure ▪ Rigid Base

Three-Phase ▪ 208-230/460 and 460 Volt



HYUNDAI CROWN TRITON™
PREMIUM EFFICIENCY

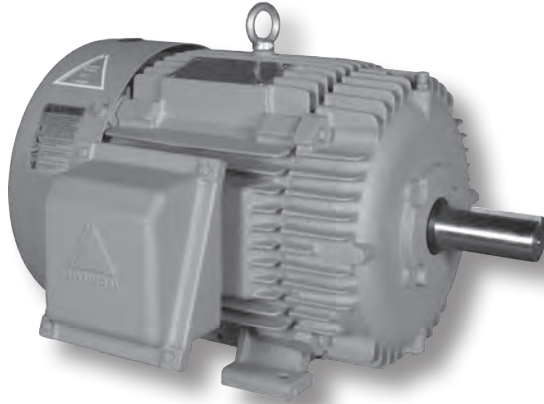
HP	RPM	Voltage	Frame	Model Number	List Price	FL Amps (A)	FL Eff. (%)	Approx. Wt. (lbs.)	Notes
25	3600	208-230/460	284T	HHI25-36-284T		28.5	91.7	380	
	3600	208-230/460	284TS	HHI25-36-284TS		28.5	91.7	380	
	1800	208-230/460	284T	HHI25-18-284T		30.3	93.6	380	
	1200	208-230/460	324T	HHI25-12-324T		31.2	93.0	550	
30	3600	208-230/460	286T	HHI30-36-286T		33.8	91.7	410	
	3600	208-230/460	286TS	HHI30-36-286TS		33.8	91.7	410	
	1800	208-230/460	286T	HHI30-18-286T		36.0	93.6	410	
	1200	208-230/460	326T	HHI30-12-326T		37.1	93.0	560	
40	3600	208-230/460	324T	HHI40-36-324T		45.5	92.4	530	
	3600	208-230/460	324TS	HHI40-36-324TS		45.5	92.4	530	
	1800	208-230/460	324T	HHI40-18-324T		48.8	94.1	550	
	1200	208-230/460	364T	HHI40-12-364T		48.8	94.1	780	
50	3600	208-230/460	326T	HHI50-36-326T		55.8	93.0	540	
	3600	208-230/460	326TS	HHI50-36-326TS		55.8	93.0	540	
	1800	208-230/460	326T	HHI50-18-326T		59.9	94.5	560	
	1200	208-230/460	365T	HHI50-12-365T		60.2	94.1	840	
60	3600	208-230/460	364T	HHI60-36-364T		65.6	94.1	780	
	3600	208-230/460	364TS	HHI60-36-364TS		65.6	94.1	780	
	1800	208-230/460	364T	HHI60-18-364T		69.9	95.0	780	
	1200	208-230/460	404T	HHI60-12-404T		71.2	94.5	1120	RB
75	3600	208-230/460	365T	HHI75-36-365T		79.8	94.5	820	
	3600	208-230/460	365TS	HHI75-36-365TS		79.8	94.5	820	
	1800	208-230/460	365T	HHI75-18-365T		85.1	95.4	820	
	1200	208-230/460	405T	HHI75-12-405T		87.0	94.5	1220	RB
100	3600	208-230/460	405TS	HHI100-36-405TS		110.1	94.5	1110	
	1800	208-230/460	405T	HHI100-18-405T		114.1	95.4	1110	RB
	1800	208-230/460	405T	HHI100-18-405TBB		114.1	95.4	1110	
	1200	208-230/460	444T	HHI100-12-444T		116.6	95.0	1530	RB
125	3600	208-230/460	444TS	HHI125-36-444TS		139.5	95.0	1610	
	1800	208-230/460	444T	HHI125-18-444T		142.0	95.4	1530	RB
	1800	208-230/460	444T	HHI125-18-444TBB		142.0	95.4	1530	
	1200	208-230/460	445T	HHI125-12-445T		147.7	95.0	1700	RB
150	3600	460	445TS	HHI150-36-445TS		161.5	95.0	1770	
	1800	460	445T	HHI150-18-445T		163.8	95.8	1700	RB
	1800	460	445T	HHI150-18-445TBB		163.8	95.8	1700	
	1200	460	447T	HHI150-12-447T		169.5	95.8	1860	RB
200	3600	460	447TS	HHI200-36-447TS		219.3	95.4	1900	
	1800	460	447T	HHI200-18-447T		222.4	96.2	1860	RB
	1800	460	447T	HHI200-18-447TBB		222.4	96.2	1860	
	1200	460	449T	HHI200-12-449T		231.2	95.8	2430	RB
250	3600	460	449TS	HHI250-36-449TS		276.6	95.8	2430	
	1800	460	449T	HHI250-18-449T		281.7	96.2	2430	RB
	1800	460	449T	HHI250-18-449TBB		281.7	96.2	2430	



HYUNDAI CROWN TRITON™ SERIES MOTORS

PREMIUM EFFICIENCY

TEFC Enclosure ▪ *Rigid Base* ▪ *Factory Short Shaft*
Three-Phase ▪ *208-230/460 and 460 Volt*



Product Overview

- 25 - 200 HP
- 1800 and 1200 RPM
- 208-230/460 volt (25 - 125 HP)
- 460 volt (150 - 200 HP)
- TEFC enclosure
- Dual rated service factor
1.15 for 40°C / 1.0 for 65°C
- Class F insulation
- Rigid base
- Factory short shaft
- Premium Efficiency, meets or exceeds
EISA 2007 requirements defined in
NEMA MG-1 table 12-12
- 3 year warranty
- NEMA Design B
- Cast iron frame and conduit box
- Suitable for part winding start
on low voltage (25 - 125 HP)
- Suitable for wye-delta start (25 - 200 HP)
- Inverter ready, 10:1 CT / 20:1 VT
- Double drilled feet to accommodate
mounting flexibility (324TS - 449TS)
- F2 field mountable
- Class I, Division 2, Groups A, B, C, D
- CC # 038A



HP	RPM	Voltage	Frame	Model Number	List Price	FL Amps (A)	FL Eff. (%)	Approx. Wt. (lbs.)	Notes
25	1800	208-230/460	284TS	HHI25-18-284TS		30.3	93.6	380	
30	1800	208-230/460	286TS	HHI30-18-286TS		36.0	93.6	410	
40	1800	208-230/460	324TS	HHI40-18-324TS		48.8	94.1	550	
50	1800	208-230/460	326TS	HHI50-18-326TS		59.9	94.5	560	
60	1800	208-230/460	364TS	HHI60-18-364TS		69.9	95.0	780	
75	1800	208-230/460	365TS	HHI75-18-365TS		85.1	95.4	820	
100	1800	208-230/460	405TS	HHI100-18-405TSBB		114.1	95.4	1110	
125	1800	208-230/460	444TS	HHI125-18-444TSBB		142.0	95.4	1530	
150	1800	460	445TS	HHI150-18-445TSBB		163.8	95.8	1700	
	1200	460	447TS	HHI150-12-447TSBB		169.5	95.8	1860	
200	1800	460	447TS	HHI200-18-447TSBB		222.4	96.2	1860	
	1200	460	449TS	HHI200-12-449TSBB		231.2	95.8	2430	

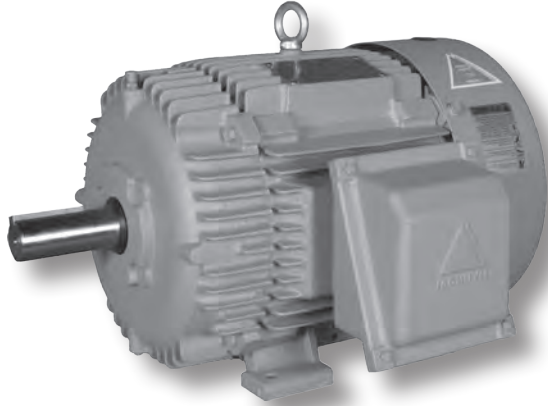
HYUNDAI CROWN TRITON™ SERIES MOTORS

PREMIUM EFFICIENCY

TEFC Enclosure ▪ Rigid Base ▪ Factory F2 Mount
Three-Phase ▪ 208-230/460 and 460 Volt



HYUNDAI CROWN TRITON™
PREMIUM EFFICIENCY



Product Overview

- 25 - 200 HP
- 1800 and 1200 RPM
- 208-230/460 volt (25 - 125 HP)
- 460 volt (150 - 200 HP)
- TEFC enclosure
- Dual rated service factor 1.15 for 40°C / 1.0 for 65°C
- Class F insulation
- Rigid base
- Factory F2 mount
- Premium Efficiency, meets or exceeds EISA 2007 requirements defined in NEMA MG-1 table 12-12
- 3 year warranty
- NEMA Design B
- Cast iron frame and conduit box
- Suitable for part winding start on low voltage (25 - 125 HP)
- Suitable for wye-delta start (25 - 200 HP)
- Inverter ready, 10:1 CT / 20:1 VT
- Double drilled feet to accommodate mounting flexibility (324T - 449T)
- F1 field mountable
- Class I, Division 2, Groups A, B, C, D
- CC # 038A



HP	RPM	Voltage	Frame	Model Number	List Price	FL Amps (A)	FL Eff. (%)	Approx. Wt. (lbs.)	Notes
25	1800	208-230/460	284T	HHI25-18-284T-F2		30.3	93.6	380	
30	1800	208-230/460	286T	HHI30-18-286T-F2		36.0	93.6	410	
40	1800	208-230/460	324T	HHI40-18-324T-F2		48.8	94.1	550	
50	1800	208-230/460	326T	HHI50-18-326T-F2		59.9	94.5	560	
60	1800	208-230/460	364T	HHI60-18-364T-F2		69.9	95.0	780	
75	1800	208-230/460	365T	HHI75-18-365T-F2		85.1	95.4	820	
	1200	208-230/460	405T	HHI75-12-405T-F2		87.0	94.5	1220	RB
100	1800	208-230/460	405T	HHI100-18-405T-F2		114.1	95.4	1110	RB
125	1800	208-230/460	444T	HHI125-18-444T-F2		142.0	95.4	1530	RB
150	1800	460	445T	HHI150-18-445T-F2		163.8	95.8	1700	RB
	1200	460	447T	HHI150-12-447T-F2		169.5	95.8	1860	RB
200	1800	460	447T	HHI200-18-447T-F2		222.4	96.2	1860	RB
	1200	460	449T	HHI200-12-449T-F2		231.2	95.8	2430	RB

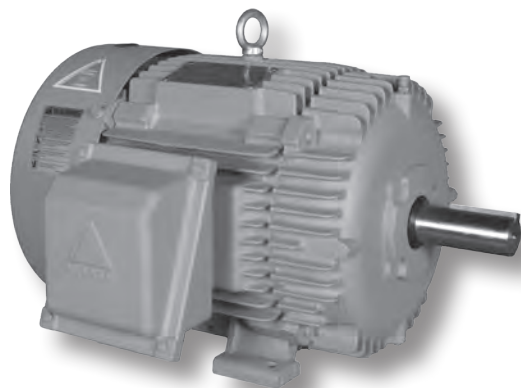


HYUNDAI CROWN TRITON™ SERIES MOTORS

PREMIUM EFFICIENCY

TEFC Enclosure ▪ Rigid Base

Three-Phase ▪ 575 Volt



Product Overview

- 1 - 200 HP
- 3600, 1800 and 1200 RPM
- 575 volt
- TEFC enclosure
- Dual rated service factor
1.15 for 40°C / 1.0 for 65°C
- Class F insulation
- Rigid base
- Premium Efficiency, meets or exceeds
EISA 2007 requirements defined in
NEMA MG-1 table 12-12
- 3 year warranty
- NEMA Design B
- Cast iron frame and conduit box
- Inverter ready, 10:1 CT / 20:1 VT
- Double drilled feet to accommodate
mounting flexibility (324T - 447T)
- F2 field mountable
- Class I, Division 2, Groups A, B, C, D
- CC # 038A



HP	RPM	Voltage	Frame	Model Number	List Price	FL Amps (A)	FL Eff. (%)	Approx. Wt. (lbs.)	Notes
1	1800	575	143T	HHI1-18-575-143T		1.3	85.5	53	
1.5	1800	575	145T	HHI1.5-18-575-145T		1.8	86.5	55	
2	1800	575	145T	HHI2-18-575-145T		2.4	86.5	55	
3	1800	575	182T	HHI3-18-575-182T		3.1	89.5	90	
5	3600	575	184T	HHI5-36-575-184T		4.9	88.5	105	
	1800	575	184T	HHI5-18-575-184T		5.2	89.5	105	
	1200	575	215T	HHI5-12-575-215T		5.9	89.5	165	
7.5	3600	575	213T	HHI7.5-36-575-213T		7.2	89.5	150	
	1800	575	213T	HHI7.5-18-575-213T		7.6	91.7	150	
	1200	575	254T	HHI7.5-12-575-254T		8.2	91.0	260	
10	1800	575	215T	HHI10-18-575-215T		10.2	91.7	165	
15	3600	575	254T	HHI15-36-575-254T		13.5	91.7	260	
	1800	575	254T	HHI15-18-575-254T		14.6	92.4	260	
20	3600	575	256T	HHI20-36-575-256T		18.5	91.7	300	
	1800	575	256T	HHI20-18-575-256T		19.8	93.0	300	
25	3600	575	284TS	HHI25-36-575-284TS		22.8	91.7	380	
	1800	575	284T	HHI25-18-575-284T		24.2	93.6	380	
30	3600	575	286TS	HHI30-36-575-286TS		27.0	91.7	410	
	1800	575	286T	HHI30-18-575-286T		28.8	93.6	410	
40	1800	575	324T	HHI40-18-575-324T		39.0	94.1	550	
50	3600	575	326TS	HHI50-36-575-326TS		44.6	93.0	540	
	1800	575	326T	HHI50-18-575-326T		47.9	94.5	560	
60	3600	575	364TS	HHI60-36-575-364TS		52.5	94.1	780	
	1800	575	364T	HHI60-18-575-364T		56.0	95.0	780	
75	1800	575	365T	HHI75-18-575-365T		68.1	95.4	820	
100	1800	575	405T	HHI100-18-575-405T		91.3	95.4	1110	RB
	1200	575	444T	HHI100-12-575-444T		93.3	95.0	1530	RB
125	1800	575	444T	HHI125-18-575-444T		113.6	95.4	1530	RB
150	1800	575	445T	HHI150-18-575-445T		131.0	95.8	1700	RB
	1800	575	445T	HHI150-18-575-445TBB		131.0	95.8	1700	
200	1800	575	447T	HHI200-18-575-447T		177.9	96.2	1860	RB

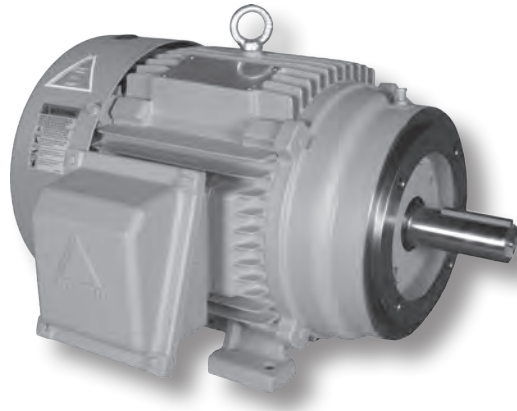
HYUNDAI CROWN TRITON™ SERIES MOTORS

PREMIUM EFFICIENCY

TEFC Enclosure ▪ C-Face ▪ Rigid Base
Three-Phase ▪ 208-230/460 and 460 Volt



HYUNDAI CROWN TRITON™
PREMIUM EFFICIENCY



Product Overview

- 1 - 200 HP
- 3600, 1800 and 1200 RPM
- 208-230/460 volt (1 - 125 HP)
- 460 volt (150 - 200 HP)
- TEFC enclosure
- Dual rated service factor
1.15 for 40°C / 1.0 for 65°C
- Class F insulation
- C-face - rigid base
- Premium Efficiency, meets or exceeds
EISA 2007 requirements defined in
NEMA MG-1 table 12-12
- 3 year warranty
- NEMA Design B
- Cast iron frame and conduit box
- Suitable for part winding start
on low voltage (1 - 125 HP)
- Suitable for wye-delta start (15 - 200 HP)
- Inverter ready, 10:1 CT / 20:1 VT
- Double drilled feet to accommodate
mounting flexibility (324TC - 449TC)
- F2 field mountable
- Class I, Division 2, Groups A, B, C, D
- CC # 038A



HP	RPM	Voltage	Frame	Model Number	List Price	FL Amps (A)	FL Eff. (%)	Approx. Wt. (lbs.)	Notes
1	1800	208-230/460	143TC	HHI1-18-143TC		1.6	85.5	53	
	1200	208-230/460	145TC	HHI1-12-145TC		1.8	82.5	55	
1.5	3600	208-230/460	143TC	HHI1.5-36-143TC		2.0	84.0	53	
	1800	208-230/460	145TC	HHI1.5-18-145TC		2.2	86.5	55	
2	3600	208-230/460	145TC	HHI2-36-145TC		2.6	85.5	55	
	1800	208-230/460	145TC	HHI2-18-145TC		3.0	86.5	55	
3	3600	208-230/460	182TC	HHI3-36-182TC		3.8	86.5	90	
	1800	208-230/460	182TC	HHI3-18-182TC		3.9	89.5	90	
5	3600	208-230/460	184TC	HHI5-36-184TC		6.1	88.5	105	
	1800	208-230/460	184TC	HHI5-18-184TC		6.5	89.5	105	
	1200	208-230/460	215TC	HHI5-12-215TC		7.4	89.5	165	
7.5	3600	208-230/460	213TC	HHI7.5-36-213TC		9.0	89.5	150	
	1800	208-230/460	213TC	HHI7.5-18-213TC		9.5	91.7	150	
	1200	208-230/460	254TC	HHI7.5-12-254TC		10.3	91.0	260	
10	3600	208-230/460	215TC	HHI10-36-215TC		12.0	90.2	165	
	1800	208-230/460	215TC	HHI10-18-215TC		12.8	91.7	165	
	1200	208-230/460	256TC	HHI10-12-256TC		13.8	91.0	300	
15	3600	208-230/460	254TC	HHI15-36-254TC		16.9	91.7	260	
	1800	208-230/460	254TC	HHI15-18-254TC		18.3	92.4	260	
	1200	208-230/460	284TC	HHI15-12-284TC		19.8	91.7	380	
20	3600	208-230/460	256TC	HHI20-36-256TC		23.1	91.7	300	
	1800	208-230/460	256TC	HHI20-18-256TC		24.8	93.0	300	
	1200	208-230/460	286TC	HHI20-12-286TC		26.7	91.7	410	
25	3600	208-230/460	284TSC	HHI25-36-284TSC		28.5	91.7	380	
	1800	208-230/460	284TC	HHI25-18-284TC		30.3	93.6	380	
	1800	208-230/460	284TSC	HHI25-18-284TSC		30.3	93.6	380	
	1200	208-230/460	324TC	HHI25-12-324TC		31.2	93.0	550	



HYUNDAI CROWN TRITON™ SERIES MOTORS

PREMIUM EFFICIENCY

TEFC Enclosure ▪ C-Face ▪ Rigid Base
Three-Phase ▪ 208-230/460 and 460 Volt



HP	RPM	Voltage	Frame	Model Number	List Price	FL Amps (A)	FL Eff. (%)	Approx. Wt. (lbs.)	Notes
30	3600	208-230/460	286TSC	HHI30-36-286TSC		33.8	91.7	410	
	1800	208-230/460	286TC	HHI30-18-286TC		36.0	93.6	410	
	1200	208-230/460	326TC	HHI30-12-326TC		37.1	93.0	560	
40	1800	208-230/460	324TC	HHI40-18-324TC		48.8	94.1	550	
	1200	208-230/460	364TC	HHI40-12-364TC		48.8	94.1	780	
50	1800	208-230/460	326TC	HHI50-18-326TC		59.9	94.5	560	
	1200	208-230/460	365TC	HHI50-12-365TC		60.2	94.1	840	
60	1800	208-230/460	364TC	HHI60-18-364TC		69.9	95.0	780	
	1200	208-230/460	404TC	HHI60-12-404TC		71.2	94.5	1120	
75	1800	208-230/460	365TC	HHI75-18-365TC		85.1	95.4	820	
	1800	208-230/460	365TSC	HHI75-18-365TSC		85.1	95.4	820	
	1200	208-230/460	405TC	HHI75-12-405TC		87.0	94.5	1220	
100	1800	208-230/460	405TC	HHI100-18-405TC		114.1	95.4	1110	
	1800	208-230/460	405TSC	HHI100-18-405TSC		114.1	95.4	1110	
	1200	208-230/460	444TC	HHI100-12-444TC		116.6	95.0	1530	
125	1800	208-230/460	444TC	HHI125-18-444TC		142.0	95.4	1530	
	1800	208-230/460	444TSC	HHI125-18-444TSC		142.0	95.4	1530	
	1200	208-230/460	445TC	HHI125-12-445TC		147.7	95.0	1700	
150	1800	460	445TC	HHI150-18-445TC		163.8	95.8	1700	
	1800	460	445TSC	HHI150-18-445TSC		163.8	95.8	1700	
	1200	460	447TC	HHI150-12-447TC		169.5	95.8	1860	
200	1800	460	447TC	HHI200-18-447TC		222.4	96.2	1860	
	1800	460	447TSC	HHI200-18-447TSC		222.4	96.2	1860	
	1200	460	449TC	HHI200-12-449TC		231.2	95.8	2430	

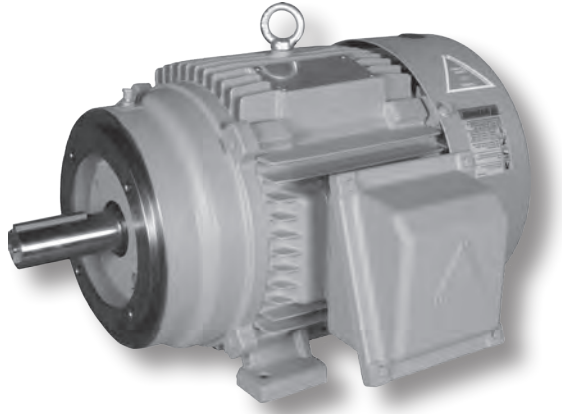
HYUNDAI CROWN TRITON™ SERIES MOTORS

PREMIUM EFFICIENCY

TEFC Enclosure ▪ C-Face ▪ Rigid Base ▪ Factory F2 Mount
Three-Phase ▪ 208-230/460 and 460 Volt



HYUNDAI CROWN TRITON™
PREMIUM EFFICIENCY



Product Overview

- 20 - 200 HP
- 1800 RPM
- 208-230/460 volt (20 - 125 HP)
- 460 volt (150 - 200 HP)
- TEFC enclosure
- Dual rated service factor
1.15 for 40°C / 1.0 for 65°C
- Class F insulation
- C-face - rigid base
- Factory F2 mount
- Premium Efficiency, meets or exceeds
EISA 2007 requirements defined in
NEMA MG-1 table 12-12
- 3 year warranty
- NEMA Design B
- Cast iron frame and conduit box
- Suitable for part winding start
on low voltage (20 - 125 HP)
- Suitable for wye-delta start (20 - 200 HP)
- Inverter ready, 10:1 CT / 20:1 VT
- Double drilled feet to accommodate
mounting flexibility (324TC - 447TC)
- F1 field mountable
- Class I, Division 2, Groups A, B, C, D
- CC # 038A



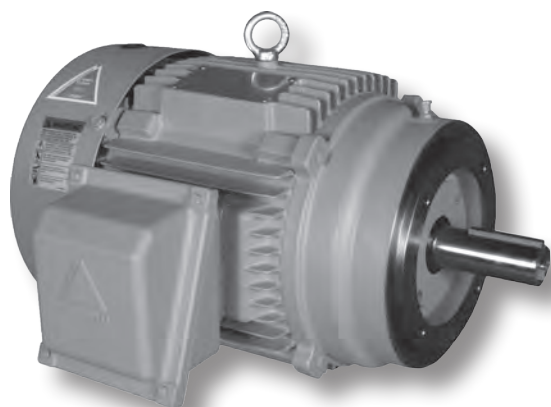
HP	RPM	Voltage	Frame	Model Number	List Price	FL Amps (A)	FL Eff. (%)	Approx. Wt. (lbs.)	Notes
20	1800	208-230/460	256TC	HHI20-18-256TC-F2		24.8	93.0	300	
25	1800	208-230/460	284TC	HHI25-18-284TC-F2		30.3	93.6	380	
30	1800	208-230/460	286TC	HHI30-18-286TC-F2		36.0	93.6	410	
40	1800	208-230/460	324TC	HHI40-18-324TC-F2		48.8	94.1	550	
50	1800	208-230/460	326TC	HHI50-18-326TC-F2		59.9	94.5	560	
60	1800	208-230/460	364TC	HHI60-18-364TC-F2		69.9	95.0	780	
100	1800	208-230/460	405TC	HHI100-18-405TC-F2		114.1	95.4	1110	
	1800	208-230/460	405TSC	HHI100-18-405TSC-F2		114.1	95.4	1110	
125	1800	208-230/460	444TC	HHI125-18-444TC-F2		142.0	95.4	1530	
150	1800	460	445TC	HHI150-18-445TC-F2		163.8	95.8	1700	
	1800	460	445TSC	HHI150-18-445TSC-F2		163.8	95.8	1700	
200	1800	460	447TC	HHI200-18-447TC-F2		222.4	96.2	1860	



HYUNDAI CROWN TRITON™ SERIES MOTORS

PREMIUM EFFICIENCY

TEFC Enclosure ▪ C-Face ▪ Round Body
Three-Phase ▪ 208-230/460 Volt



Product Overview

- 1 - 40 HP
- 1800 RPM
- 208-230/460 volt
- TEFC enclosure
- Dual rated service factor
1.15 for 40°C / 1.0 for 65°C
- Class F insulation
- C-face - round body
- Premium Efficiency, meets or exceeds
EISA 2007 requirements defined in
NEMA MG-1 table 12-12
- 3 year warranty
- NEMA Design B
- Cast iron frame and conduit box
- Suitable for part winding start
on low voltage
- Suitable for wye-delta start (15 - 40 HP)
- Inverter ready, 10:1 CT / 20:1 VT
- F2 field mountable
- Class I, Division 2, Groups A, B, C, D
- CC # 038A



HP	RPM	Voltage	Frame	Model Number	List Price	FL Amps (A)	FL Eff. (%)	Approx. Wt. (lbs.)	Notes
1	1800	208-230/460	143TC	HHI1-18-143TCRD		1.6	85.5	53	
1.5	1800	208-230/460	145TC	HHI1.5-18-145TCRD		2.2	86.5	55	
2	1800	208-230/460	145TC	HHI2-18-145TCRD		3.0	86.5	55	
3	1800	208-230/460	182TC	HHI3-18-182TCRD		3.9	89.5	90	
5	1800	208-230/460	184TC	HHI5-18-184TCRD		6.5	89.5	105	
7.5	1800	208-230/460	213TC	HHI7.5-18-213TCRD		9.5	91.7	150	
10	1800	208-230/460	215TC	HHI10-18-215TCRD		12.8	91.7	165	
15	1800	208-230/460	254TC	HHI15-18-254TCRD		18.3	92.4	260	
20	1800	208-230/460	256TC	HHI20-18-256TCRD		24.8	93.0	300	
25	1800	208-230/460	284TC	HHI25-18-284TCRD		30.3	93.6	380	
30	1800	208-230/460	286TC	HHI30-18-286TCRD		36.0	93.6	410	
40	1800	208-230/460	324TC	HHI40-18-324TCRD		48.8	94.1	550	